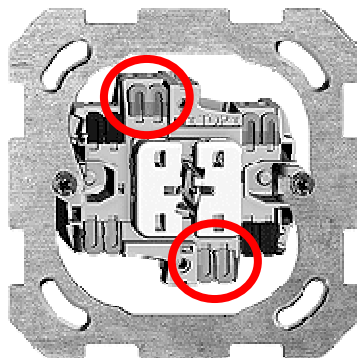


## OSM/IN DECISION

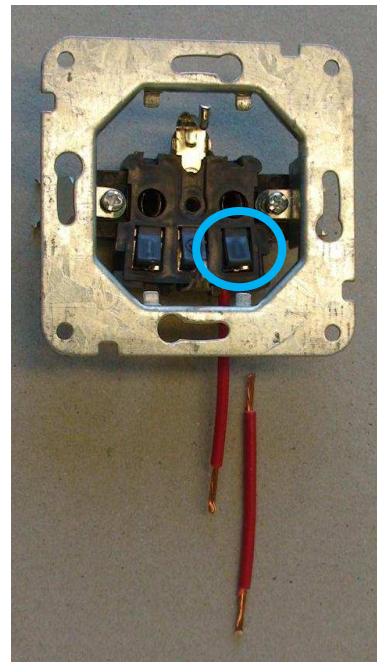
<b>Standard:</b> EN 60669-1:1999 + A1:2002 + A2:2008	<b>Sub clause:</b> 12.3.7	<b>Sheet N°:</b> OSM/IN 265
<b>Subject:</b> Screwless terminals with two clamping units and one unlock lever	<b>Key words:</b> <ul style="list-style-type: none"> <li>- Screwless terminal</li> <li>- Clamping unit</li> <li>- Unlock lever</li> </ul>	<b>Meeting N°:</b> 22 - 23 <b>Item:</b> 3.3.2 b) - 4.4.4

**Question:** Is a construction of screwless terminals using only one unlock lever (clamping button) designed to operate two clamping units permitted?

**Decision:** Screwless terminals with two clamping units and one unlock lever are allowed. This construction may be suitable for both rigid and flexible conductors (see example 2). Each conductor shall be clamped individually.



**Example 1:** screwless terminals with two clamping units and two unlock levers



**Example 2:** screwless terminals with two clamping units and only one unlock lever

**Explanatory notes:** This OSM/IN decision is based on the decision agreed by CLC/TC 23BX during the 27<sup>th</sup> plenary meeting held in Copenhagen on June 14<sup>th</sup>, 2012 (see item 13.3 of doc. TC23BX/Sec0247/RM).